

ST SERIES STUD SIZES AND RATED LOADS

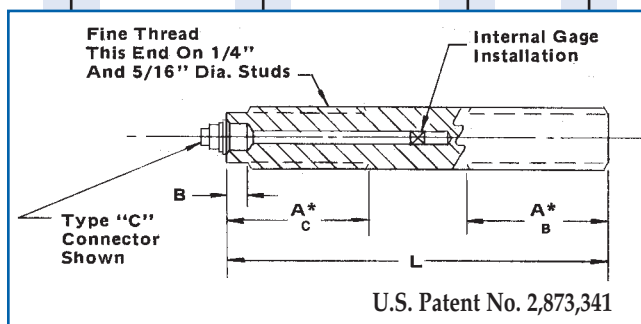
THREAD SIZE T	A _C	A _B *	B	AVAILABLE STUD LENGTH (INCHES)						RATED LOAD LBS
Cable End: 1/4"-28NF Stud End: 1/4"-20NC	1	1/8	1/8	2-1/2	3	3-1/2	4	4-1/2	5	950
Cable End: 5/16"-24NF Stud End: 5/16"-18NC	1-1/8	3/16	3/16	3	3-1/2	4	4-1/2	5	5-1/2	2,500
3/8"-16	1-1/4	7/32	7/32	3-1/2	4	4-1/2	5	5-1/2	6	4,500
1/2"-13	1-1/2	9/32	9/32	4	4-1/2	5	5-1/2	6	6-1/2	9,000
	2	9/32	9/32	9	10	12	14			
5/8"-11	1-3/4	5/16	5/16	5	5-1/2	6	6-1/2	7	7-1/2	15,000
	2	5/16	5/16	9	10	12	14			
3/4"-10	2	3/8	3/8	5-1/2	6	6-1/2	7	7-1/2	8	24,000
7/8"-9	2-1/4	7/16	7/16	6	6-1/2	7	7-1/2	8	9	33,000
1"-8	2-1/2	9/16	9/16	7	7-1/2	8	9	10	12	45,000

* Thread lengths may optionally be specified shorter.

OUTPUT SIGNALS (mv/V)								
Thread Size	(QB)	(FB)	Thread Size	(QB)	(FB)	Thread Size	(QB)	(FB)
1/4"-20/ 1/4"-28	0.53	1.38	1/2"-13	0.85	2.20	7/8"-9	0.96	2.50
5/16"-18/ 5/16"-24	0.72	1.88	5/8"-11	0.87	2.26	1"-8	1.00	2.60
3/8"-16	0.82	2.14	3/4"-10	0.95	2.46			

ORDERING INFORMATION

ST - FB 1/2-13NCx4-1/2 (350Ω / 150°F) C T3 K(LO) So



U.S. Patent No. 2,873,341

S = Signal Trimmed to †
Specific Endpoint
So = No Signal Trim

K(LO) = Load Only Calibration, **
K(LU) = Load & Unload Calibration
Ko = No Calibration, Proof Load Only

To = No Temperature Compensation †
T1 = Temperature Compensation to 150°F
T3 = Temperature Compensation to 300°F

C = Connector
W = Permanently Attached Cable
H = Header Style

150°F or 300°F Service Temperature (Max.)

350Ω or 120Ω

Stud Thread Size
 (Diameter - Threads per Inch X Length)

FB = Full Bridge Strain Gage Circuit
QB = Quarter Bridge Strain Gage Circuit

ST = Standard Stud Series

** See Strainert Calibration Services (Page 92)

† Not Available for Quarter-Bridge Bolts.